

DSD TECH SH-U11F USB to RS485/RS422 Converter

User Guide

Thanks for choosing **DSD TECH** !

Please read this user's manual carefully before using it!

Product Introduction:

SH-U11F is an upgraded version of SH-U11. Compared with SH-U11, SH-U11F adds isolation protection function, which effectively isolates power and communication signals. This design can ensure that the USB interface of your computer or notebook will not be damaged due to short circuit or operating errors, and is especially suitable for various industrial occasions.

Specification:

Model : SH-U11F

Standard : RS485/RS422

Main chip: FTDI FT232RL

Interface: USB Type B ,6 PIN Terminal Block

Cable Length: 1.0M/3.2FT

RS485 PIN: TXD+(A+), TXD-(B-)

RS422 PIN: RxD+, RxD-, TxD+, TxD-, GND

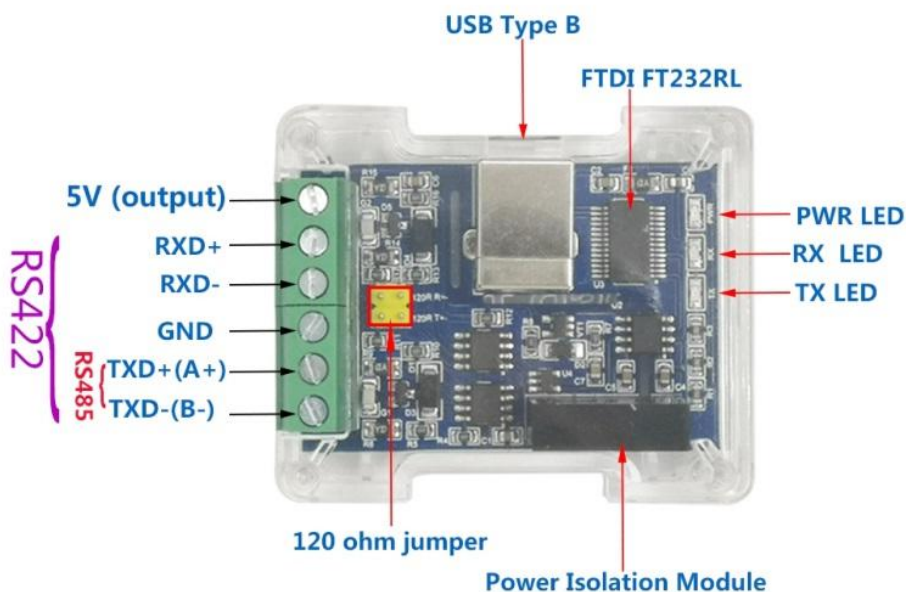
USB 2.0; compatible USB 1.1

Baud rate: 300bps to 3Mbps

Features

- 1, All kinds of RS485/RS422 interface docking, Transmission rate up to 3Mbps
- 2, The main chip is FTDI FT232RL. Built-in 15KV ESD protection and TVS overvoltage protection
- 3, Transparent shell Indication LED's for Power, TX and RX.
- 4, Support multi-machine communication, allowing up to 32 slave devices
- 5, Supports Windows 2000, XP, Vista, Window 7,8,10, Mac OS X
- 6, The shell is detachable, you can add 120 Euro jumper jumper according to your needs.

PIN Definition

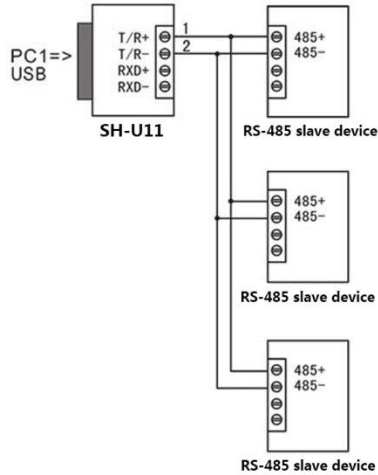
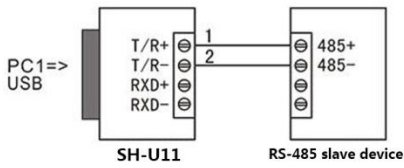


Wiring Diagram

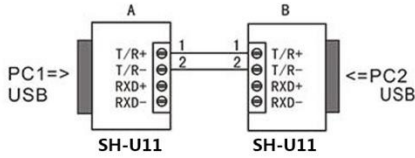
DSD TECH SH-U11F USB to RS485/RS422 Converter

USB to RS485 wiring instructions

- 1、 USB RS485 converter to a single RS485 Slave (Half duplex) 2、 USB RS485 converter to multiple RS485 slaves (Half duplex)

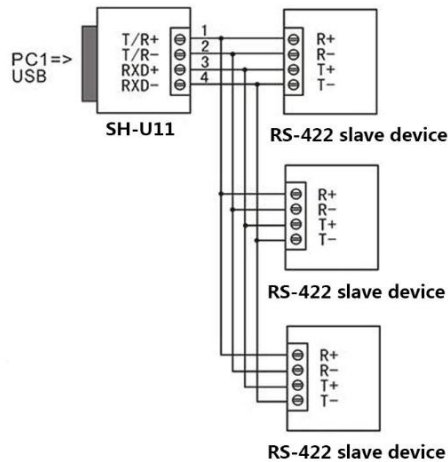
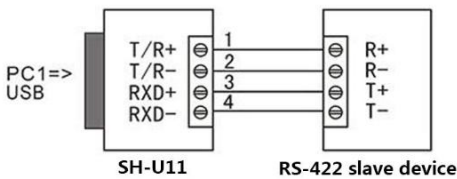


- 3、 USB RS485 converter to USB RS485 converter(Half duplex)

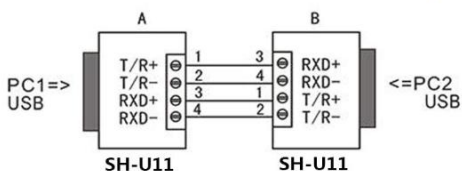


USB to RS422 wiring instructions

- 1、 USB RS422 converter to a single RS422 slave (Full duplex) 2、 USB RS422 converter to multiple RS422 slaves (Full duplex)



- 3、 USB RS422 converter to USB RS422 converter (Full duplex)



Notes

1,By default, there is no need to set jumpers. Unless you need to enable 120 ohm resistors on A+ and B-.

How to find the driver

Way 1: Please google "ftdi driver", you can find VCP FTDI Drivers from FTDI Chip website.

Way 2: Please open URL: <http://www.ftdichip.com/Drivers/VCP.htm>

Way 3: there is a driver CD in the package.

Warranty

DSD TECH provide 12-month Warranty and Lifetime Technical Support.

Contact DSD TECH

Any question ,Please contact us!

Support Email : dsdtech@163.com

Sales : eric_zhou@deshide.com

Website: <http://www.dsdtech-global.com/>